



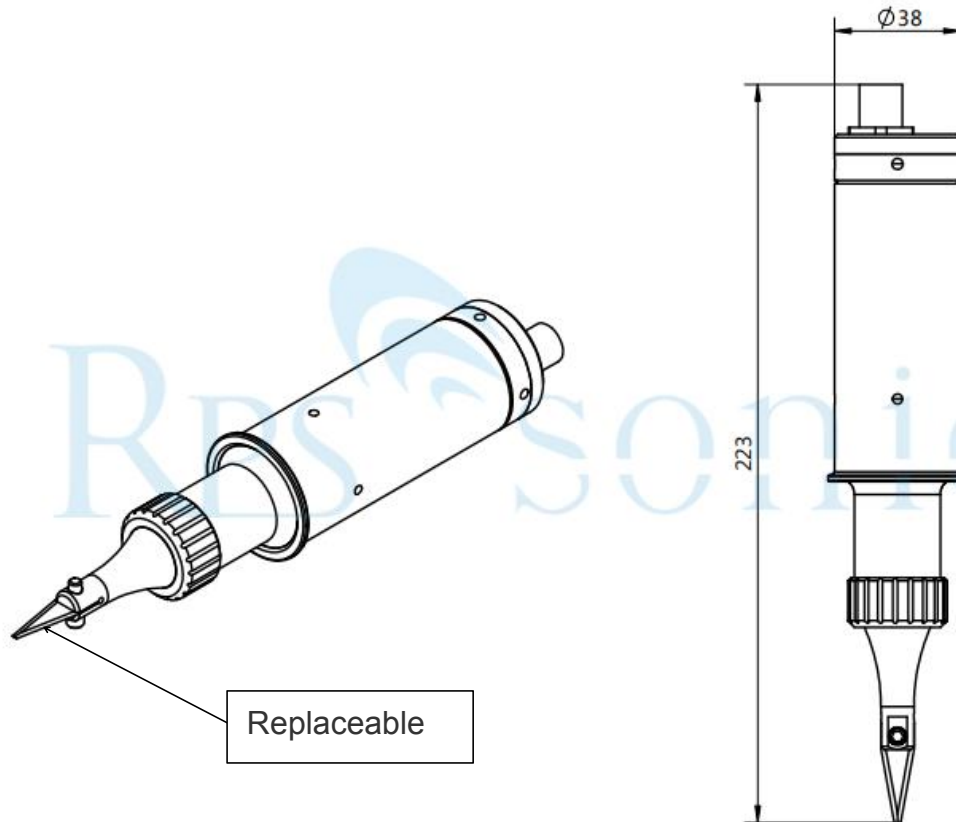
Introduction:

This Ultrasonic Cutter is designed compact and lightweight with an easy hand grip to reduce fatigue allowing for long continuous operation. This ideal hand piece offers excellent maneuverability with no vibration to the hand ensuring an accurate and sharp cutting finish. The controller automatically adjusts the output power depending on the load so there is no need to make any adjustments on the controller during the working process. A constant frequency provides steady cutting results. From simple work to fine cutting and complicated shapes, this Ultrasonic cutting Knife performs effortlessly and beautifully.

Parameter:

Frequency	40Khz
Frequency adjustment	Auto-tracking type
Max. power output	300W
Power output	Infinitive adjustment
Power supply	AC200V 50/60Hz
Outer dimension (mm)	120*120*380
Weight	6kg
Blade thickness	0.6mm

Drawing:



Tips:

The cutting knife replaceable, it is better buy some reserve knives.